



EXPRESS



ERE019



EXPRESS



Backs

Feather / down / polyester blend in feather proof cotton ticking that is channeled to prevent bunching.

Seats

Individually pocketed coil spring encased in high-resiliency foam, wrapped in feather / down / polyester blend, envelopes that are channeled to prevent bunching.

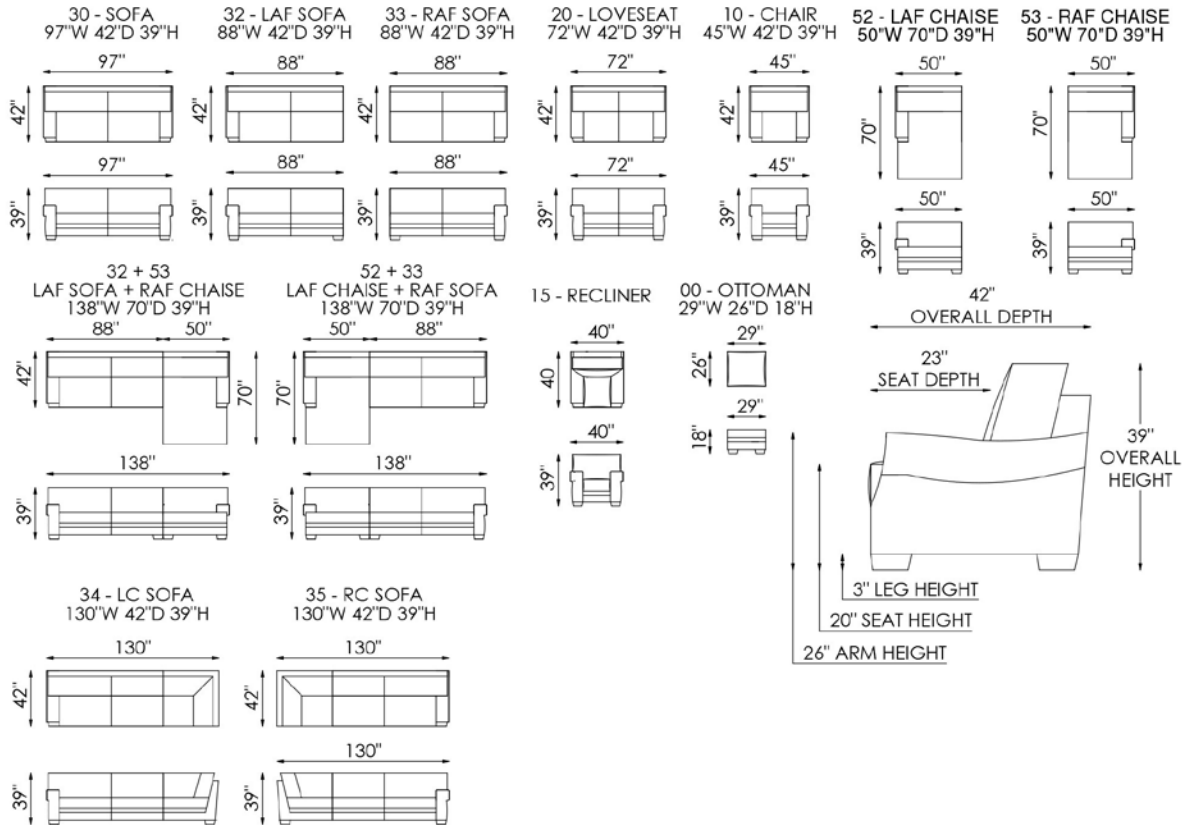
Frame

Combination of Hardwood / plywood frame - corner blocked glued & joined.

Spring System

Tempered steel 8 gauge zig zag spring

ERE - 019



As shown: 30 Sofa / Leather: Sundance
Color: Moro / 100% top grain cowhide