

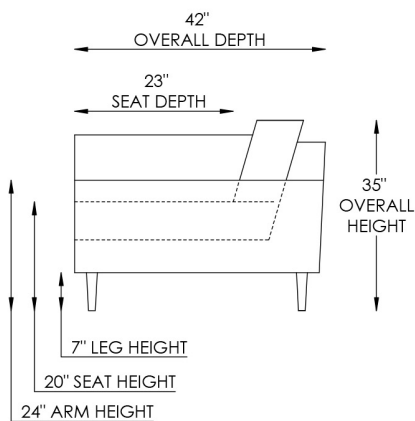
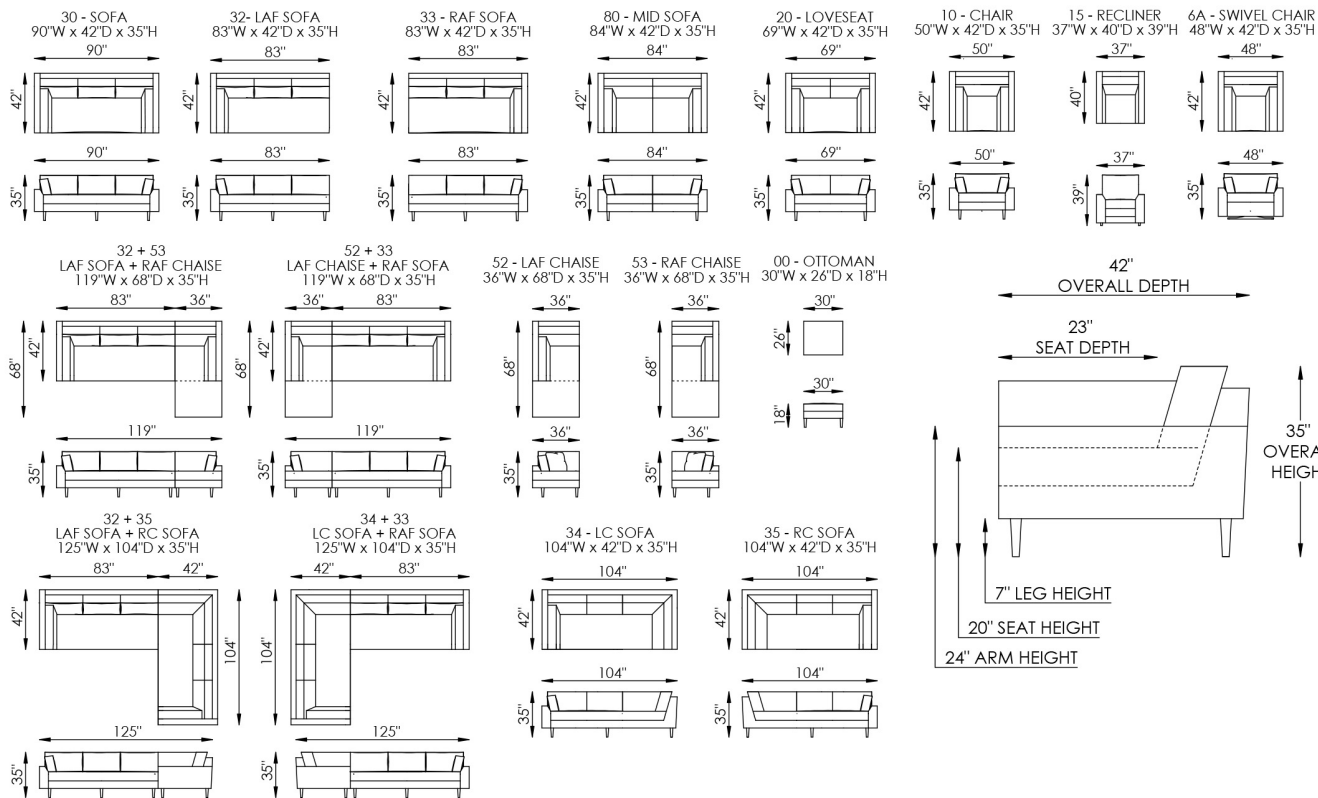


ESSENTIALS



ERE - 035

ERE - 035



Construction Story

Frame:

Combination of hardwood/furniture grade laminate. corner blocked, glued and joined,

Spring System:

Tempered steel 8 gauge zig zag springs.

Backs:

Feather / down / polyester blend in feather proof cotton ticking that is channeled to prevent bunching.

Seats:

Individually pocketed coil springs encased in high-resiliency foam, wrapped in a feather / down / polyester blend envelopes that are channeled to prevent bunching.



ESSENTIALS

