

Ballentine



AS SHOWN

30 Sofa in Maestro Artisano Saddle with Damask Hand Tooled Leather (100% Top grain leather)

SPRING SYSTEM

Tempered steel coil spring drop in unit.

BACKS

Feather/down/polyester blend in feather proof cotton ticking that is channeled to prevent bunching.

SEATS

Individually pocketed coil springs encased in high resiliency foam, wrapped in feather/down/polyester blend envelopes that are channeled to prevent bunching.

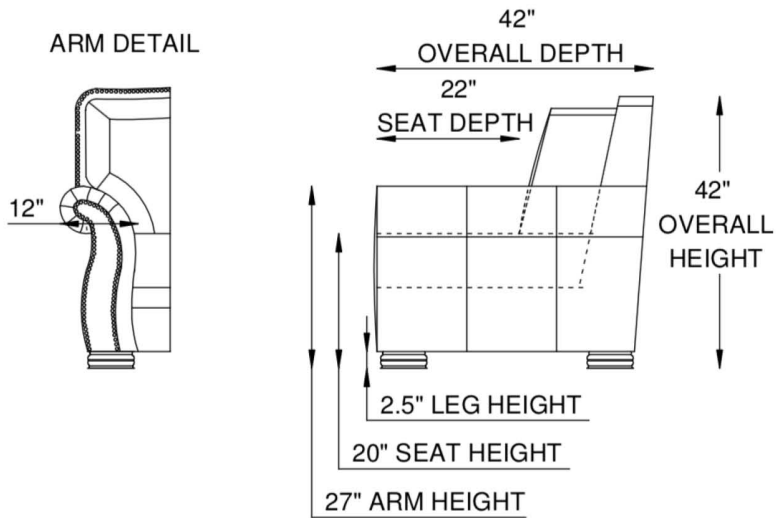
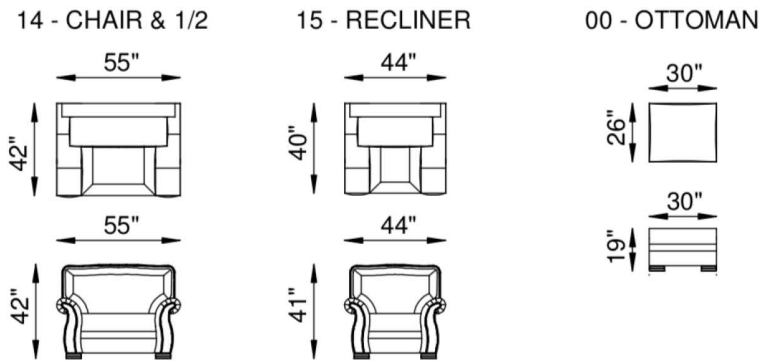
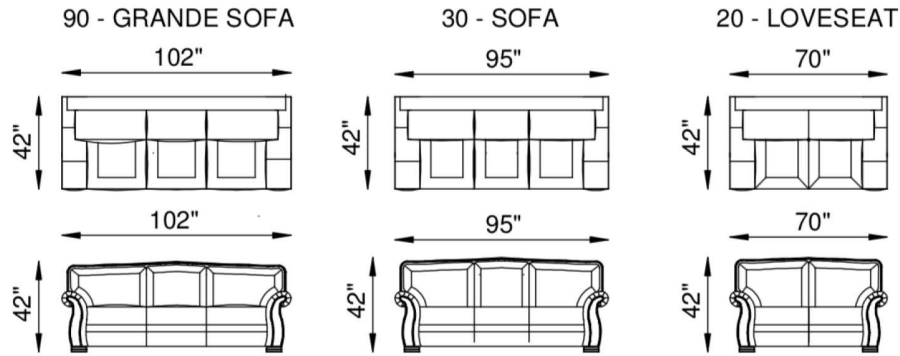
FRAME

Combination of hardwood/furniture grade laminate - corner blocked, glued & stapled

NOTES

Hand Tooled specialty leathers are only available in Maestro Artisano Leathers.

Ballentine



At Eleanor Rigby Home you can choose from our curated range of fabrics and leathers or provide your own. We offer a range of customization options, from hand-stitched leather to hand-finished treatments, metal and wood finishes. We welcome client specific designs and offer in-house design support and hands-on oversight throughout every phase of production. Visit Eleanorrigbyhome.com to see all options and to our customer service link for questions.