

# Bazaar



**AS SHOWN**

90 Grande Sofa in Cambridge Pigeon, Auckland Steel, Uma Driftwood and Montana Carbon.

**SPRING SYSTEM**

Tempered steel coil spring drop in unit.

**BACKS**

Feather/down/polyester blend in feather proof cotton ticking that is channeled to prevent bunching.

**SEATS**

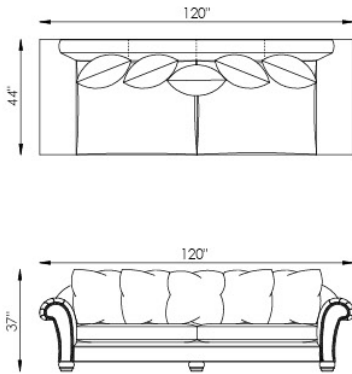
Individually pocketed coil springs encased in high resiliency foam, wrapped in feather/down/polyester blend envelopes that are channeled to prevent bunching.

**FRAME**

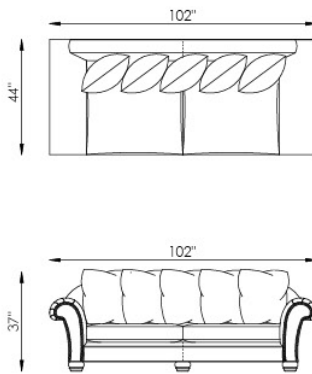
Combination of hardwood/furniture grade laminate - corner blocked, glued & stapled.

# Bazaar

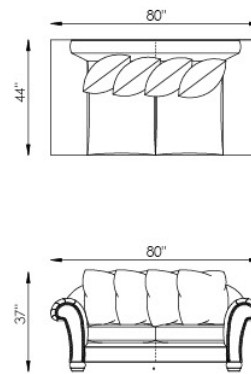
**90 - GRANDE SOFA**  
120"W - 44"D - 37"H



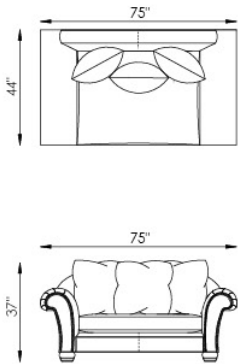
**30 - SOFA**  
102"W - 44"D - 37"H



**20 - LOVESEAT**  
80"W - 44"D - 37"H



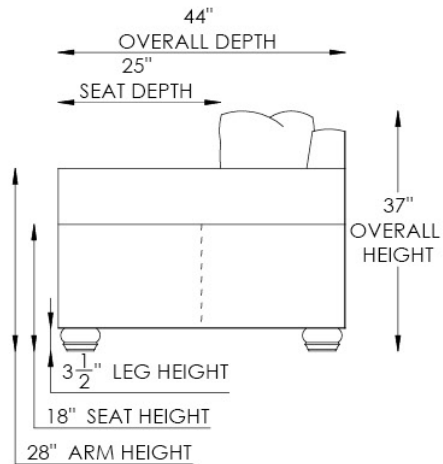
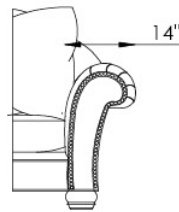
**14 - CHAIR & A 1/2**  
80"W - 44"D - 37"H



**00 - OTTOMAN**  
30"W - 26"D - 18"H



## ARM DETAIL



At Eleanor Rigby Home you can choose from our curated range of fabrics and leathers or provide your own. We offer a range of customization options, from hand-stitched leather to hand-finished treatments, metal and wood finishes. We welcome client specific designs and offer in-house design support and hands-on oversight throughout every phase of production. Visit [eleanorrigbyhome.com](http://eleanorrigbyhome.com) to see all options and our customer service link for questions.