

Hoffman



AS SHOWN

15 Recliner in Coachella Tan(100% Top grain leather)

SPRING SYSTEM

Tempered steel 8 gauge zig zag springs.

BACKS

Tempered steel 8 gauge springs, covered by high resiliency foam and fibers.

SEATS

Solid foam core wrapped in polyester fiber.

BASE

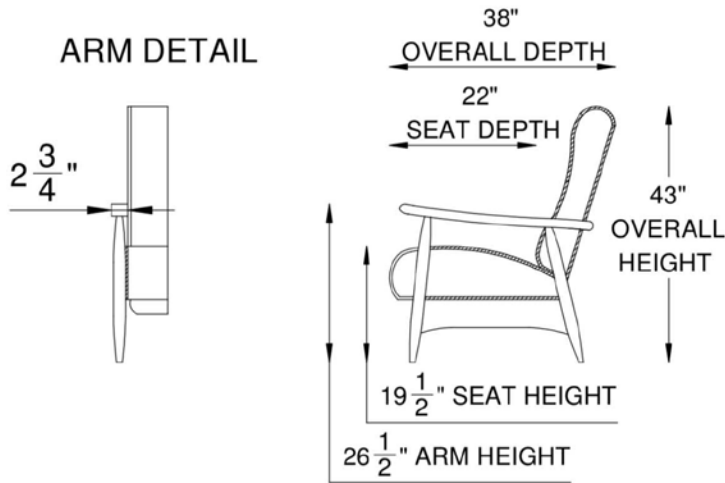
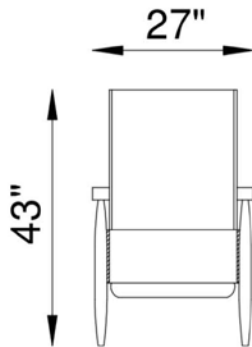
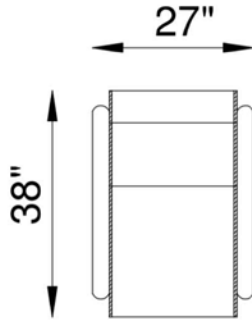
Light Walnut.

FRAME

Combination of hardwood/furniture grade laminate - corner blocked, glued & stapled

Hoffman

15 - RECLINER



At Eleanor Rigby Home you can choose from our curated range of fabrics and leathers or provide your own. We offer a range of customization options, from hand-stitched leather to hand-finished treatments, metal and wood finishes. We welcome client specific designs and offer in-house design support and hands-on oversight throughout every phase of production. Visit eleanorrigbyhome.com to see all options and our customer service link for questions.