

# Kathmandu

**AS SHOWN**

1E Accent Chair in Himalaya French Beige.

**SPRING SYSTEM**

Tempered steel 8 gauge zig zag spring.

**BACKS**

Tempered steel 8 gauge springs, covered by high resiliency foam and fibers.

**SEATS**

Individually pocketed coil springs encased in high resiliency foam, wrapped in feather/down/polyester blend envelopes that are channeled to prevent bunching.

**FRAME**

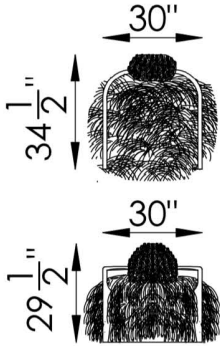
Combination of hardwood/furniture grade laminate - corner blocked, glued & stapled.

**BASE**

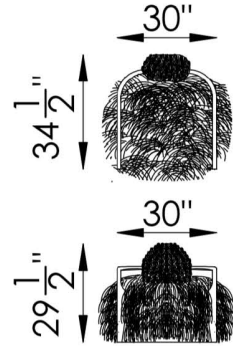
Solid Alder color Honey.

# Kathmandu

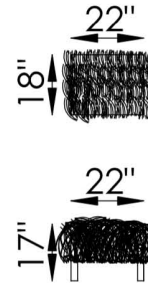
1E - ACCENT CHAIR



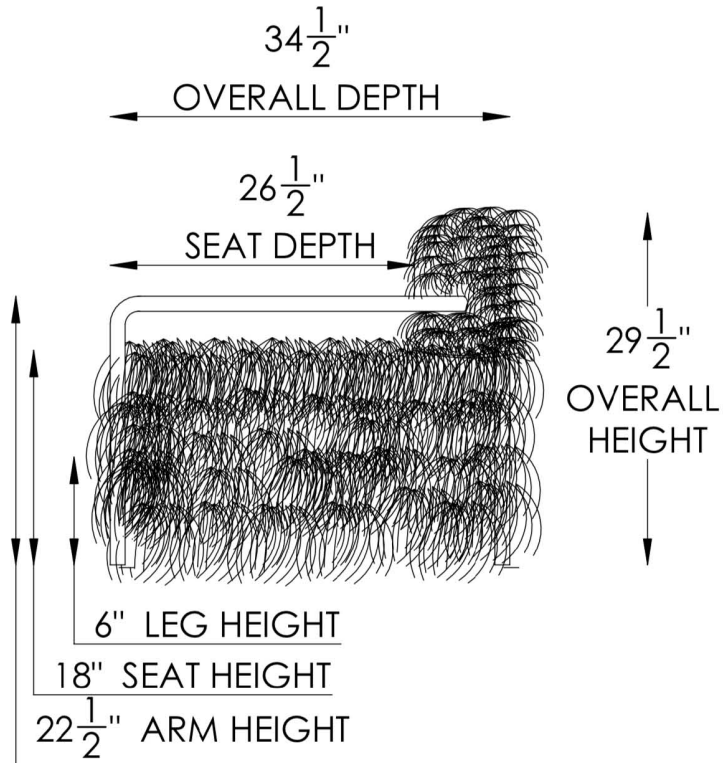
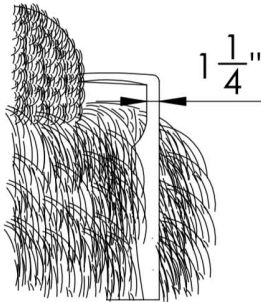
6A - SWIVEL CHAIR



00 - OTTOMAN



ARM DETAIL



At Eleanor Rigby Home you can choose from our curated range of fabrics and leathers or provide your own. We offer a range of customization options, from hand-stitched leather to hand-finished treatments, metal and wood finishes. We welcome client specific designs and offer in-house design support and hands-on oversight throughout every phase of production. Visit [eleanorrigbyhome.com](http://eleanorrigbyhome.com) to see all options and our customer service link for questions.