

Molly



AS SHOWN

1E Accent Chair in Shearling Dusty Beige.

SPRING SYSTEM

Tempered steel 8 gauge zig zag spring.

BACKS

Tempered steel 8 gauge springs, covered by high resiliency foam and fibers.

SEATS

Individually pocketed coil springs encased in high resiliency foam, wrapped in feather/down/polyester blend envelopes that are channeled to prevent bunching.

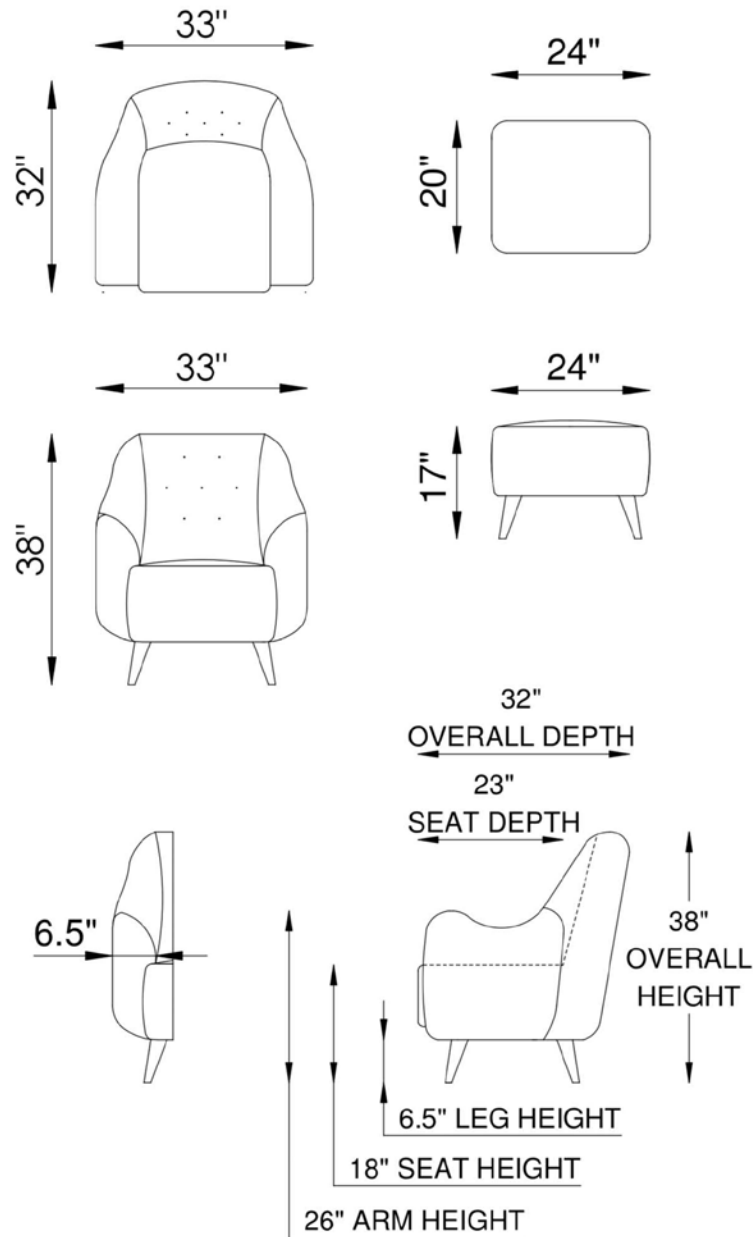
FRAME

Combination of hardwood/furniture grade laminate - corner blocked, glued & stapled.

Molly

1E - ACCENT CHAIR

00 - OTTOMAN



At Eleanor Rigby Home you can choose from our curated range of fabrics and leathers or provide your own. We offer a range of customization options, from hand-stitched leather to hand-finished treatments, metal and wood finishes. We welcome client specific designs and offer in-house design support and hands-on oversight throughout every phase of production. Visit eleanorrigbyhome.com to see all options and our customer service link for questions.