

# Rebecca



**AS SHOWN**

30 Sofa in Bellaria 111 (80% Polyester, 20% Cotton)

**SPRING SYSTEM**

Tempered steel 8 gauge zig zag spring.

**BACKS**

Feather/down/polyester blend in feather proof cotton ticking that is channeled to prevent bunching.

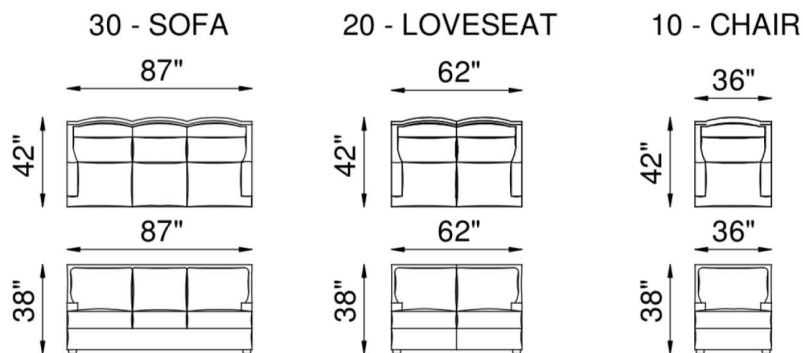
**SEATS**

Individually pocketed coil springs encased in high resiliency foam, wrapped in feather/down/polyester blend envelopes that are channeled to prevent bunching.

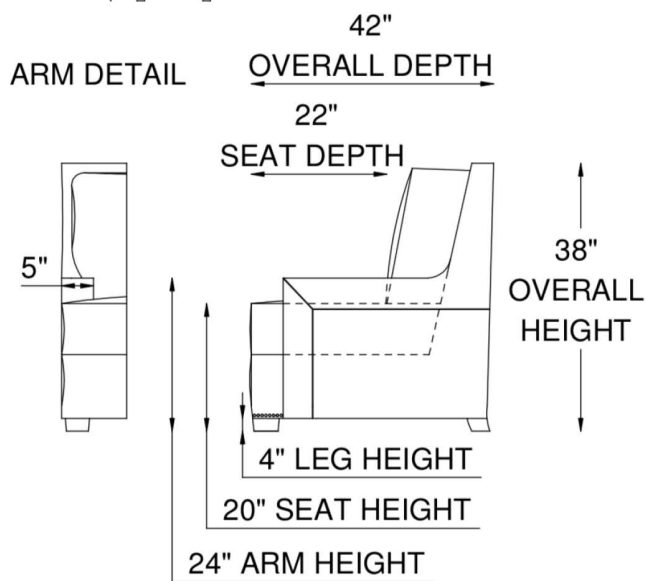
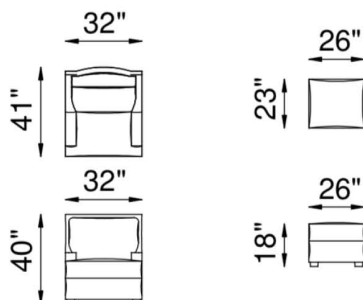
**FRAME**

Combination of hardwood/furniture grade laminate - corner blocked, glued & stapled.

# Rebecca



15 - RECLINER      00 - OTTOMAN



At Eleanor Rigby Home you can choose from our curated range of fabrics and leathers or provide your own. We offer a range of customization options, from hand-stitched leather to hand-finished treatments, metal and wood finishes. We welcome client specific designs and offer in-house design support and hands-on oversight throughout every phase of production. Visit [Eleanorrigbyhome.com](http://Eleanorrigbyhome.com) to see all options and to our customer service link for questions.