

# Spencer



**AS SHOWN**

1x LAF Chair Power Recliner/1M Armless Chair Power Recliner/1Y RAF Chair Power Recliner in Dixieland Caramel (100% Top grain leather)

**SPRING SYSTEM**

Tempered steel 8 gauge zig zag springs.

**BACKS**

Feather/down/polyester blend in feather proof cotton ticking that is channeled to prevent bunching.

**SEATS**

Individually pocketed coil springs encased in high resiliency foam, wrapped in feather/down/polyester blend envelopes that are channeled to prevent bunching.

**FRAME**

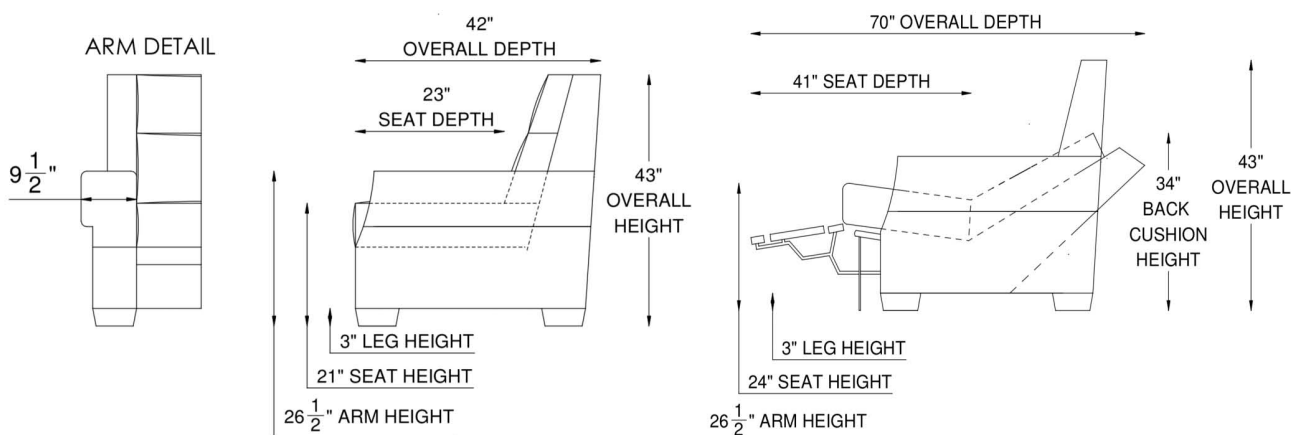
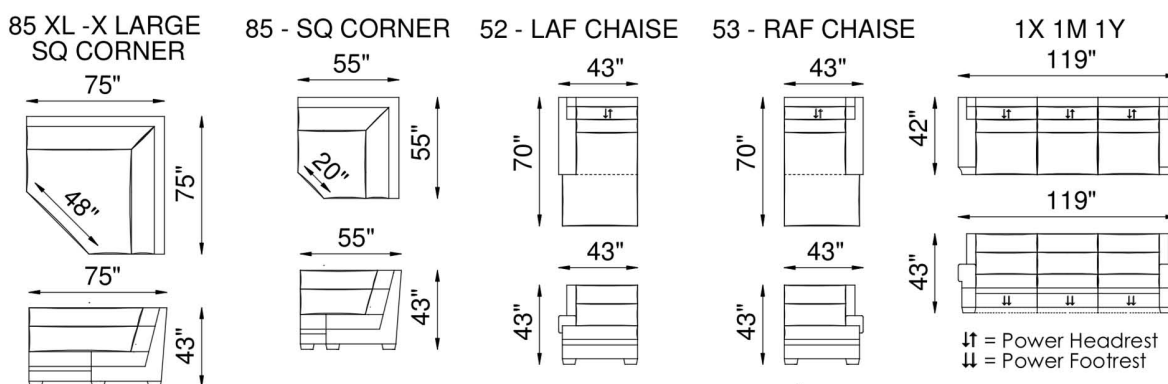
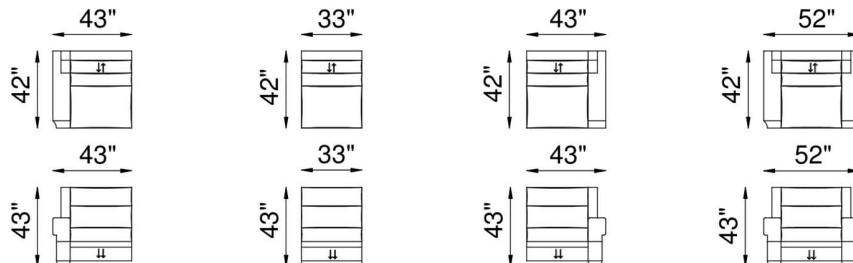
Combination of hardwood/furniture grade laminate - corner blocked, glued & stapled.

**NOTES:**

The Spencer motion modular pieces are available in 3 different seat widths, 24" ,26" and 33"

# Spencer C

1X - LAF POWER RECLINER    1M - ARMLESS CHAIR RECLINER    1Y - RAF POWER RECLINER    1Z - POWER RECLINER



**NOTES: 85 SQUARE WEDGE FOOTRESTS ON EITHER SIDE OF THIS WEDGE CANNOT BE OPENED AT THE SAME TIME. IF REQUIRED PLEASE SELECT 85XL CORNER WEDGE.**

At Eleanor Rigby Home you can choose from our curated range of fabrics and leathers or provide your own. We offer a range of customization options, from hand-stitched leather to hand-finished treatments, metal and wood finishes. We welcome client specific designs and offer in-house design support and hands-on oversight throughout every phase of production. Visit [Eleanorrigbyhome.com](http://Eleanorrigbyhome.com) to see all options and to our customer service link for questions.