

# Swing



**AS SHOWN**

1E Accent Chair in Nairobi 04 (72% Viscose, 28% Linen)

**SPRING SYSTEM**

Tempered steel 8 gauge zig zag springs.

**BACKS**

Tempered steel 8 gauge springs, covered by high resiliency foam and fibers.

**SEATS**

High resiliency foam, wrapped in feather/down/polyester blend envelopes that are channeled to prevent bunching.

**BASE**

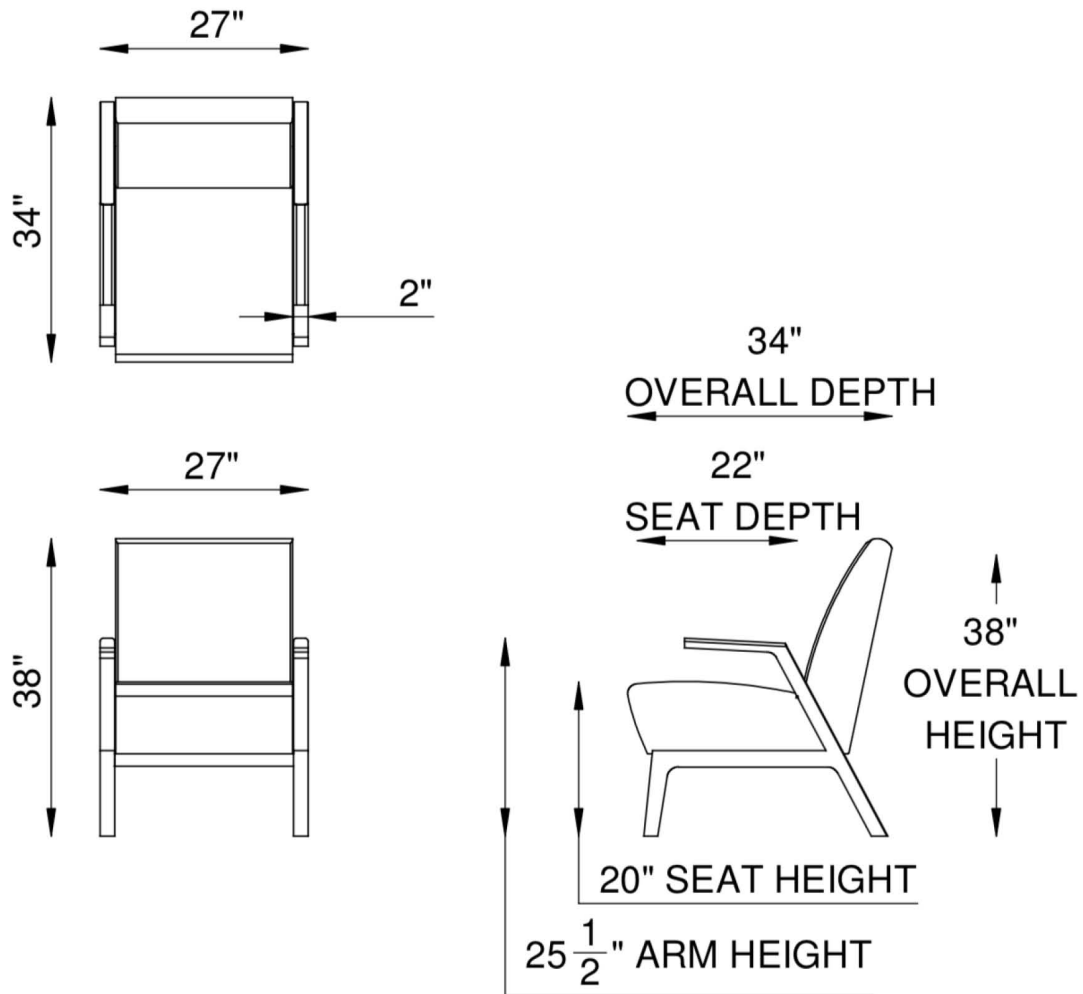
Espresso finish.

**FRAME**

Combination of hardwood/furniture grade laminate - corner blocked, glued & stapled.

# Swing

## 1E - ACCENT CHAIR



At Eleanor Rigby Home you can choose from our curated range of fabrics and leathers or provide your own. We offer a range of customization options, from hand-stitched leather to hand-finished treatments, metal and wood finishes. We welcome client specific designs and offer in-house design support and hands-on oversight throughout every phase of production. Visit [Eleanorrigbyhome.com](http://Eleanorrigbyhome.com) to see all options and to our customer service link for questions.