

Tulsa



AS SHOWN

30 Sofa in Brompton Saddle (100% Top grain leather)

SPRING SYSTEM

Tempered steel 8 gauge zig zag spring.

BACKS

Feather/down/polyester blend in feather proof cotton ticking that is channeled to prevent bunching.

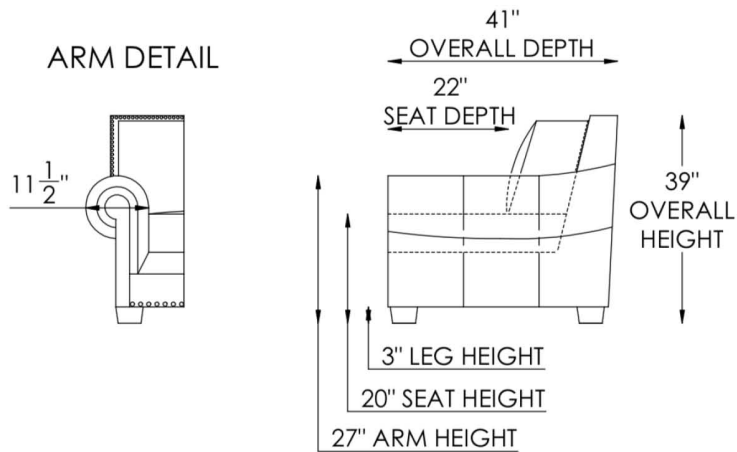
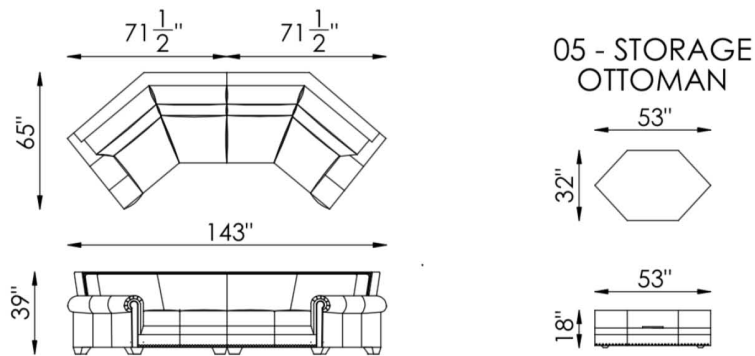
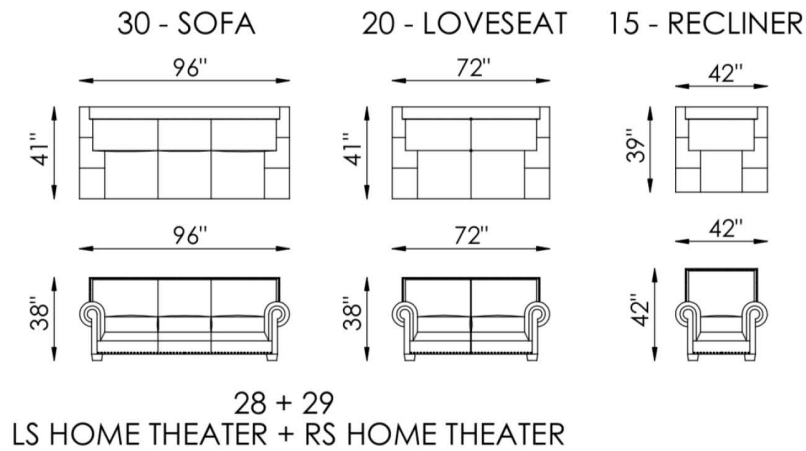
SEATS

Individually pocketed coil springs encased in high resiliency foam, wrapped in feather/down/polyester blend envelopes that are channeled to prevent bunching.

FRAME

Combination of hardwood/furniture grade laminate - corner blocked, glued & stapled.

Tulsa



At Eleanor Rigby Home you can choose from our curated range of fabrics and leathers or provide your own. We offer a range of customization options, from hand-stitched leather to hand-finished treatments, metal and wood finishes. We welcome client specific designs and offer in-house design support and hands-on oversight throughout every phase of production. Visit Eleanorrigbyhome.com to see all options and to our customer service link for questions.