

Wilma



AS SHOWN

1E Accent Chair in 36074-2121.

SPRING SYSTEM

Tempered steel 8 gauge zig zag spring.

BACKS

High resiliency solid foam wrapped in polyester fibre.

SEATS

Individually pocketed coil springs encased in high resiliency foam, wrapped in feather/down/polyester blend envelopes that are channeled to prevent bunching.

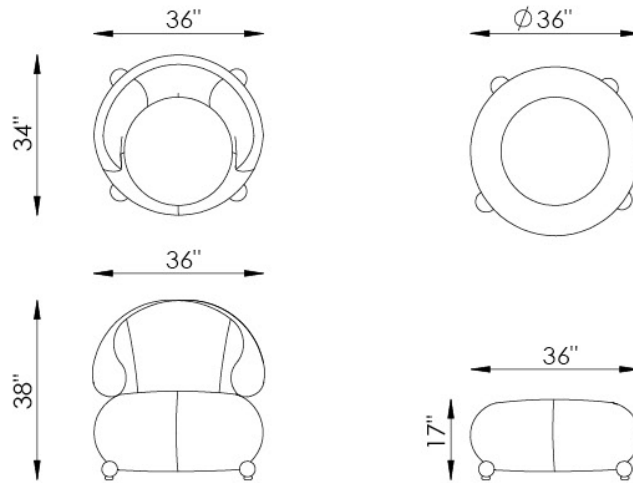
FRAME

Combination of hardwood/furniture grade laminate - corner blocked, glued & stapled.

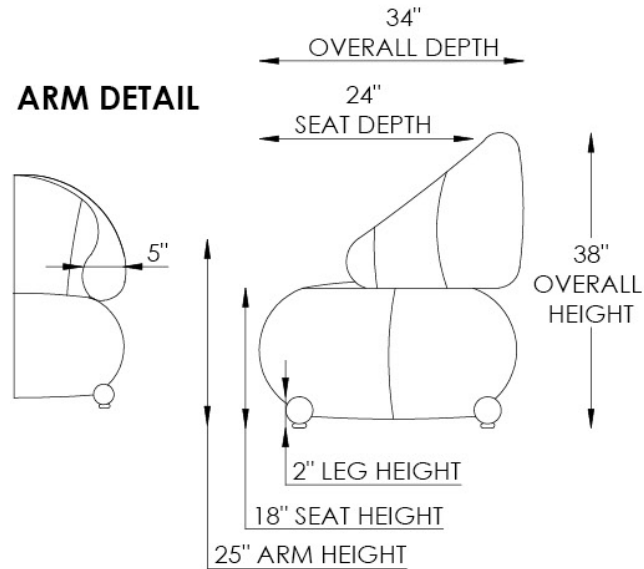
Wilma

1E - ACCENT CHAIR

00 - OTTOMAN



ARM DETAIL



At Eleanor Rigby Home you can choose from our curated range of fabrics and leathers or provide your own. We offer a range of customization options, from hand-stitched leather to had-finished treatments, metal and wood finishes. We welcome client specific designs and offer in-house design support and hands-on oversight throughout every phase of production. Visit eleanorrigbyhome.com to see all options and our customer service link for questions.